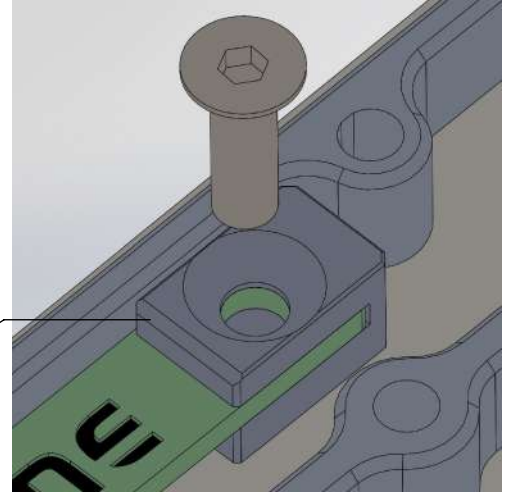


-Recommended orientation of the plate is like in the picture.

-Correctly mount spring clamps on the springs. And partially tighten M6*18 screws.

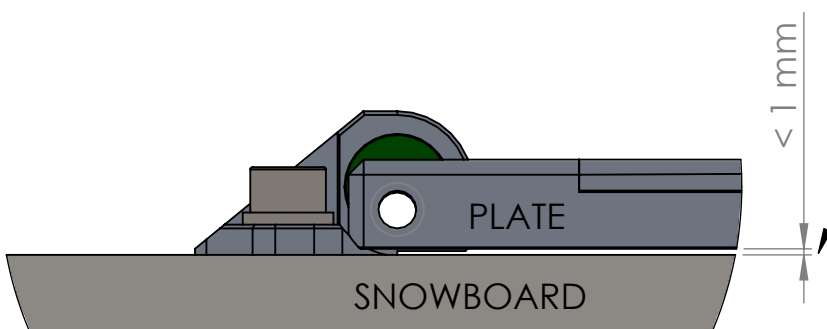


-Continue by tightening the screws for mechanisms and then finally fully tighten the screws for the springs.

-Check the screws that fix the springs to the plate regularly, but do not overtighten them.

-Recommended use of a medium strength thread locker like Loctite 243 on all screws.

-Check the screws that fix the plate to the board regularly, but do not overtighten them.



-When the plate is correctly mounted on the board, distance between the board and the plate must be less than 1mm. The hinge mechanism must be in bottom position.

Hinge mechanism side view

