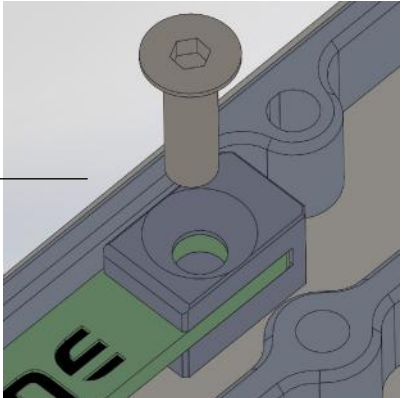
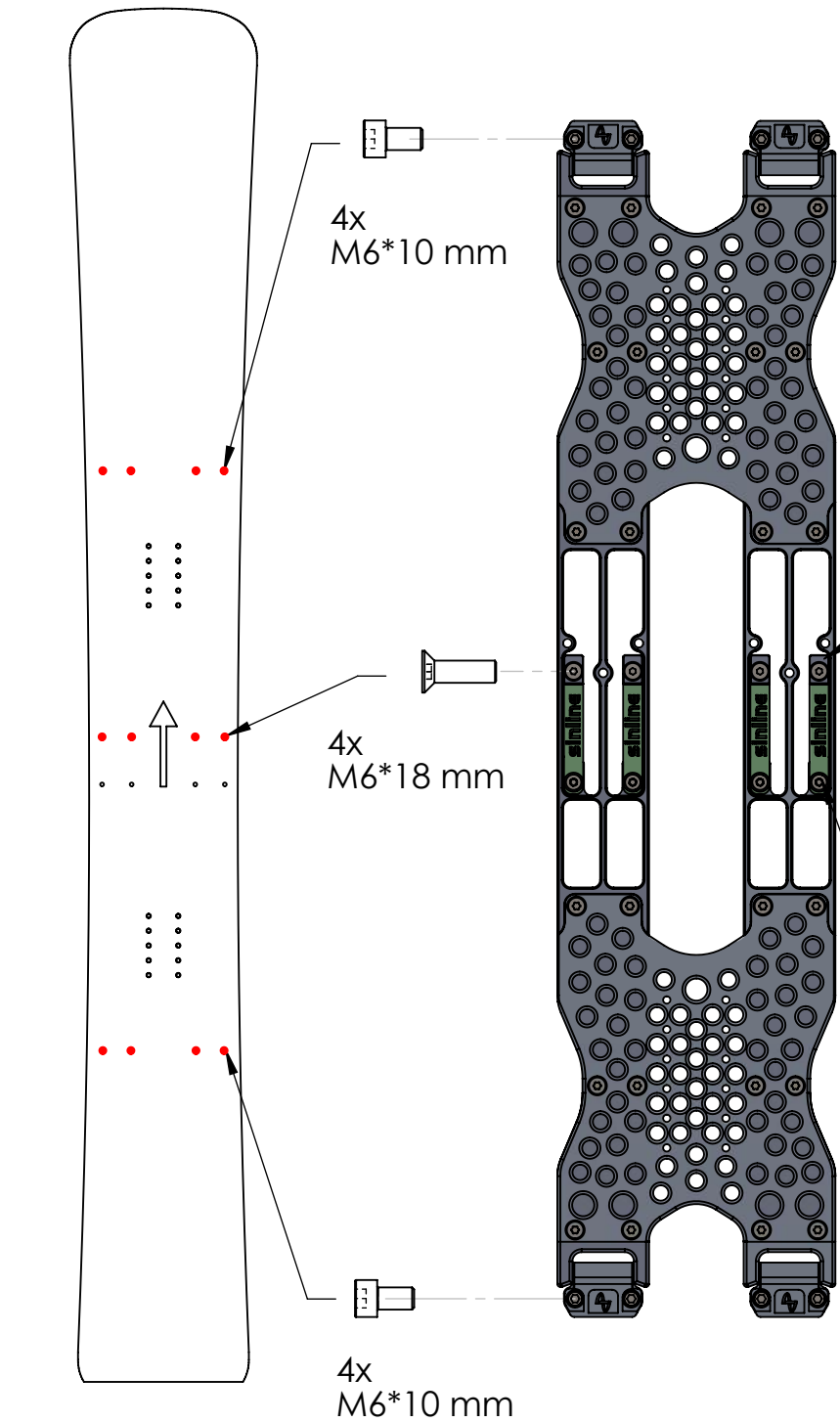


-Recommended orientation of the plate is like in the picture.

-For boards with a thicker top sheet and deep inserts it is recommended to use longer screws, M6\*12 mm on the hinge mechanisms and M6\*20mm in the middle for better screw engagement.



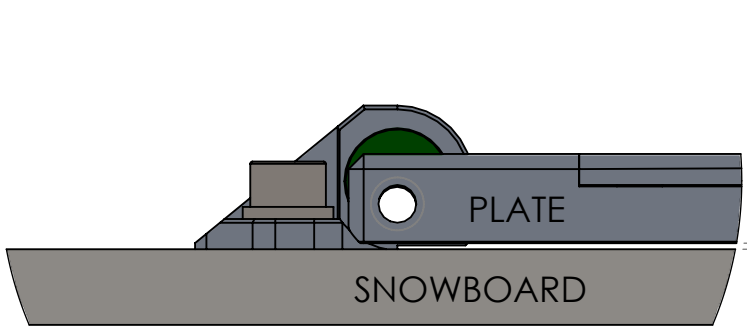
-Correctly mount spring clamps on the springs.

-Check the screws that fix the springs to the plate regularly, but do not overtighten them.

-Recommended use of a medium strength thread locker like Loctite 243 on all screws.

-Check screw thread engagement with board inserts regularly.

-When the plate is correctly mounted on the board, distance between the board and the plate must be less than 1mm. The hinge mechanism must be in bottom position.



Hinge mechanism side view

